



ZK[®] 5000 Reader

USB Fingerprint Reader

Target Applications

- Desktop PC security
- Mobile PCs
- Custom applications

Features

- Superior ESD resistant
- Small form factor
- Excellent image quality
- Encrypted fingerprint data
- Latent print rejection
- Counterfeit finger rejection
- Rotation invariant
- Rugged
- Works well with dry, moist, or rough fingerprints
- Compatible with Windows[®] XP, 2000, Me, 98, NT[®] 4.0 and Windows Server 2000, 2003

Key Specifications

- Pixel resolution:
512 dpi (average x,y over the scan area)
- Scan capture area:
14.6 mm (nom. width at center)
18.1 mm (nom. length)
8-bit grayscale (256 levels of gray)
- Reader size (approximate):
79 mm x 49 mm x 19 mm
- Compatible with USB 1.0, 1.1 and 2.0 (Full Speed) specifications
- Indoor, home and office use



Product Description

The ZK5000 Reader is a USB fingerprint reader designed for Desktop PC security, Mobile PCs and Custom applications.

The user simply places their finger on the glowing reader window, and the reader quickly and automatically scans the fingerprint. On-board electronic calibrate the reader and encrypt the scanned data before sending it over the USB interface.

ZKSoftware readers utilize optical fingerprint scanning technology to achieve excellent image quality, a large capture area and superior reliability. The ZK5000 Reader Engine have an unmatched ability to authenticate even the most difficult fingerprints accurately and rapidly regardless of placement angle.

The ZK5000 Reader can be purchased with ZK Biokey licence. Whether you are an enterprise customer or a system integrator, ZK's fingerprint authentication solutions provide a natural extension to your security system and applications.

(Module OEM from DigitalPersona Ltd.)

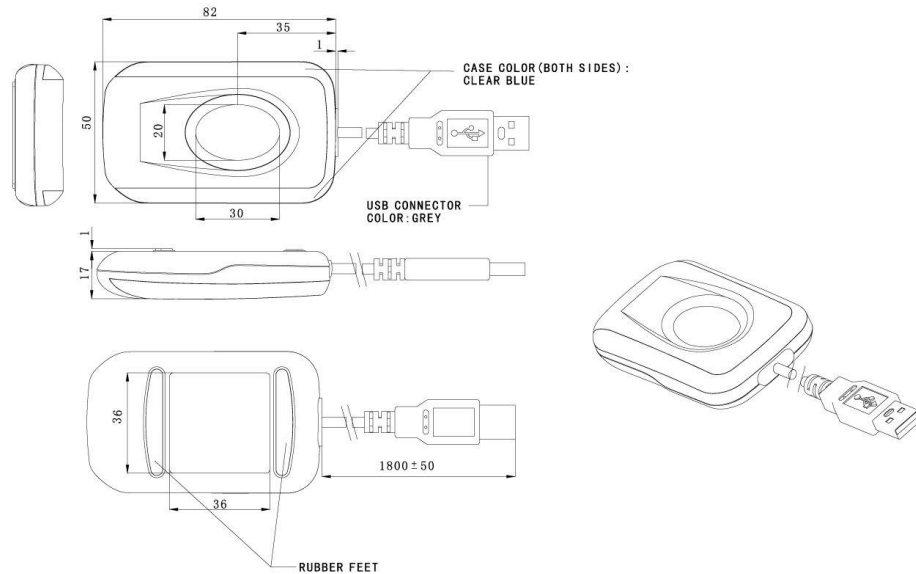
ZKSoftware
The Advanced Biometric Solution

ZKSoftware Inc is the company logo, Biokey is the core technology logo of ZKSoftware Inc, it has been registered in China and America. Copyright 1998-2006 ZKSoftware Inc.

ZK[®] 5000 Reader

USB Fingerprint Reader

Mechanical Specification:



Ratings

Supply Voltage	5.0V ± 5% supplied by USB
Supply Current—scanning	190 mA (Typical)
Supply Current—idle mode	140 mA (Typical)
Supply Current—suspend mode	1.5 mA (Maximum)
ESD Susceptibility	>15 kV, mounted in case
Temperature, Operating	0°C ~ 40°C
Humidity, Operating	20% ~ 80% non-condensing
Temperature, Storage	-10°C ~ 60°C
Humidity, Storage	20% ~ 90% non-condensing
Scan data	8-bit grayscale
Standards Compliance	FCC Class B, CE, ICES, BSMI, MIC, USB, WHQL

Data subject to change without notice

ZKSoftware
The Advanced Biometric Solution

ZK Software Inc.
Address: ZK Mansion, Wuhe Road, Gangtuo, Bantian, Buji
Town, Longgang District, Shenzhen, China 518129
Tel: 0086-755-8351 2040, 8960 2667
Fax: 0086-755-8351 2675, 8960 2069
<http://www.zksoftware.com>



Declaration

All the specifications of the products mentioned here are subjected to the real objects. ZKSoftware will not promise that the real objects are in accordance with the content, which is mentioned here due to the continuous updating of the products. ZKSoftware Inc is not responsible for any dispute caused by the difference between the practical technology parameters and prompting catalogue, if any change occurred, ZK is not responsible to notice in advance.