



MS7580 Genesis™

Metrologic's MS7580 Genesis™, the world's first presentation area imager engineered to decode all standard 1D, PDF and 2D codes, provides enhanced productivity and revolutionary imaging technology in an elegant, yet durable design.

Metrologic's MS7580 Genesis is destined to redefine industry standards for imaging solutions. Breakthrough performance and a versatile form factor make this product suitable for environments ranging from manufacturing to healthcare to retail POS.

Patented CodeGate® technology along with a centrally-located activation button support menu-scanning and other targeted-scanning applications.

Unlike other scanners with multiple on-board interfaces, the MS7580 has four dedicated memory banks - each one capable of storing

full configuration settings for RS232, keyboard wedge, USB and 46xx RS485 interfaces.

Automatic cable detection and configuration simplifies migration to a new interface by eliminating the need to scan programming bar codes. Three additional patented technologies augment the MS7580's unmatched feature set:

FirstFlash™ technology along with shielded LEDs minimize the intense flashing common among other area imagers.

Code Select® allows the MS7580 to capture up to seven bar codes in a single flash and outputs data in any predetermined order.

TotalFreedom™ offers unlimited possibilities for developing value-added custom application modules embedded directly into the MS7580 instead of the host system.

www.metrologic.com/MS7580

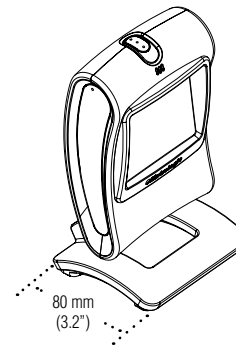
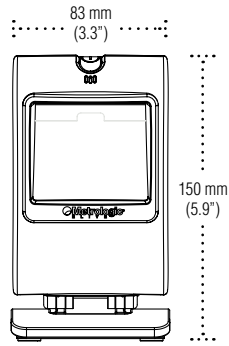


Features

- Motion Tolerance
- Multiple On-Board Interfaces
- TotalFreedom™ Open-System Architecture
- FirstFlash®
- CodeSelect™

Benefits

- Aggressively reads bar codes passing by the scan window
- Reduces overall system cost
- Simplifies installation by loading custom application modules directly to imager instead of host
- Increases productivity by scanning all standard bar codes on first LED flash
- Scans up to 7 bar codes in one scan and outputs data in any pre-determined order



OPERATIONAL

Light Source	LED 645 nm + 7.5 nm
Decode Capability	Autodiscriminates all standard 1-D, GS1, PDF417, microPDF, MaxiCode, Data Matrix, QR Code, UCC, EAN Composites, Postals, Aztec
System Interfaces	PC Keyboard Wedge, RS232, 46xx RS485, USB
Beeper Operation	7 tones or no beep
Indicators (LED)	Blue unit powered, ready to scan; White = good read

MECHANICAL

Height	150 mm (5.9")
Depth	80 mm (3.2")
Width	83 mm (3.3")
Weight	340 g (12 oz)
Termination	10 pin modular RJ45
Cable	Standard 2.9 m (9.5') straight

ELECTRICAL

Input Voltage	12 V
Power	Operating: 2.3 W Standby: 1.7 W
Current	Operating: 192 mA Standby: 142 mA
DC Transformers	12 V @ 1.25A
EMC	FCC Class B, IEC60825-1 LED Safety
LED Class	Class 1; IEC60825-1:1993/A1:1997+A2:2001 Class 1; EN60825-1:1994/A11:1996+A2:2001

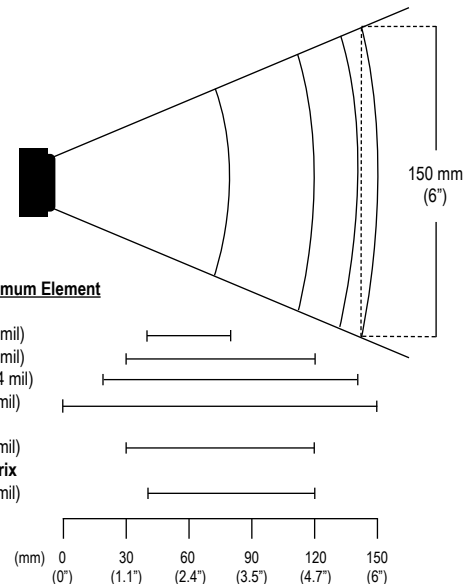
ENVIRONMENTAL

Operating Temperature	0°C to 40°C (32°F to 104°F)
Storage Temperature	-40°C to 60°C (-40°F to 140°F)
Humidity	0% to 95% relative humidity, non-condensing
Light Levels	Up to 100,000 Lux (9,290 footcandles)
Shock	Designed to withstand 1.5 m (5') drops

SCAN PERFORMANCE

Depth of Scan Field	0 mm - 150 mm (0" - 6") for 0.33 mm (13 mil)
Field of View	65 mm x 39 mm (2.5" x 1.5") @ 0 mm (0"); 194 mm x 116 mm (7.6" x 4.8") @ 150 mm (6")
Minimum element width	1D: 0.1 mm (4 mil) PDF: 0.127 mm (5 mil) 2D: 0.190 mm (7.5 mil)
Minimum element width, 2D	0.254 mm (10 mil)
Motion Tolerance	200 cm/sec (78"/sec) for 0.33 mm (13 mil) @ 10 cm (4")
Resolution	1280 x 768
Print Contrast	20% minimum reflectance difference
Roll, Pitch, Yaw	360°, 70°, 75°

Scan Area



Product Colors Available



MS7580 is available in a variety of other colors with minimum quantity purchase.



Metrologic Instruments, Inc. | Worldwide Headquarters
90 Coles Road | Blackwood, NJ 08012-4683 | info@metrologic.com
Telephone 856-228-8100 | Fax 856-228-6673 | www.metrologic.com

ISO 9001:2000

Asian Headquarters
Tel. 65.6842.7155
info@sg.metrologic.com

European Headquarters
Tel. 49.89.89019.0
info@eu.metrologic.com

The Americas Headquarters
Tel. 1.800.ID.METRO
info@us.metrologic.com



Revision: All



Sunrise 2005 Compliant

Specifications subject to change without notice. Printed U.S.A., Copyright November 2007 Metrologic, all rights reserved.



DS7580